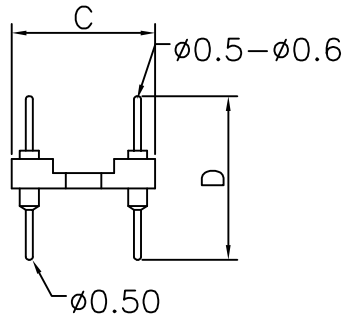
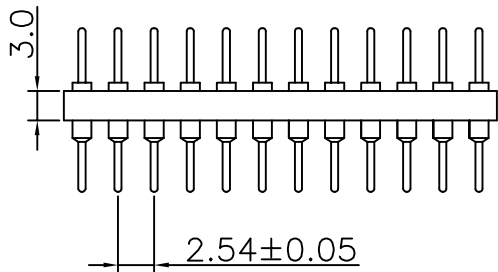
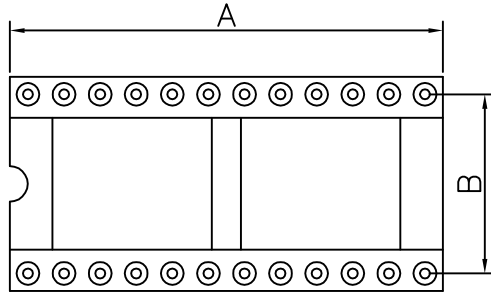


REV.	ECN NO.	APPD	DATE
A0			



### MATERIAL&FINISH

CONTACT:BRASS  
 INSULATOR MATERIAL:PBT or PPS(UL94V-0)  
 PLATING:GOLD or Tin OVER 50u" Ni  
 EXTRACTION FORCE:AVERAGE 500 GR  
 RESIST TO SOLDERING HEAT:MIN.240°C,10 SEC  
 CURRENT RATING:3.0Amps/PIN  
 CONTACT RESISTANCE:<=10m OHMS/PIN  
 INSULATOR RESIST:>=1000M OHMS AT V=100V  
 VOLTAGE RESISTANCE:500 VRMS  
 TEMPERATURE:-45°C TO +105°C  
 DIM D=10mm;11.96mm;12.15mm

### HOW TO ORDER

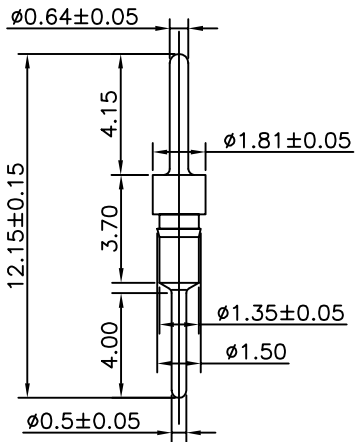
**X - 1 1 1 - X X X - 1 0 - X X X X - X X**

RoHS/Lead Free		NO.OF Contacts		Dip Spacing(C)		PITCH		Pin PLATED			Insulator height(mm)		Insulator material		
Code	Definition	06,08,10,14,16,18,20,22,24,28,32,36,40,42,48		Code	Definition	Code	Definition	Pin plated	11.96mm	12.15mm	10.00mm	Code	Definition	Code	Definition
Blank	Non-RoHS			3	7.62	0	2.54	Tin 200u"	8001	8011	6001	3	3.0mm	1	PPS
R	RoHS			4	10.16			Gold flash	8002	8012	6003			2	PBT
				6	15.24			Gold 10u"	8003	8013	6002				
				9	22.86			Gold 15u"	8004	8014	6004				
								Gold 20u"	8005	8015	6005				
								Gold 30u"	8006	8016	6006				

TYPE	DIM A	DIM B	DIM C	TYPE	DIM A	DIM B	DIM C	TYPE	DIM A	DIM B	DIM C	TYPE	DIM A	DIM B	DIM C
3				4	25.40	10.16	1.27	20	25.40	15.24	17.78	50	63.50	22.86	25.40
06	7.62	7.62	10.16	20	27.94	10.16	1.27	24	30.48	15.24	17.78	52	66.04	22.86	25.40
08	10.16	7.62	10.16	22	30.48	10.16	1.27	28	35.56	15.24	17.78	64	81.28	22.86	25.40
10	12.70	7.62	10.16	24	35.56	10.16	1.27	32	40.64	15.24	17.78				
14	17.78	7.62	10.16	28	40.64	10.16	1.27	36	45.66	15.24	17.78				
16	20.32	7.62	10.16	32	50.80	10.16	1.27	40	50.80	15.24	17.78				
18	22.86	7.62	10.16					42	53.34	15.24	17.78				
20	25.40	7.62	10.16					48	60.96	15.24	17.78				
22	27.94	7.62	10.16					50	63.50	15.24	17.78				
24	30.48	7.62	10.16					52	66.04	15.24	17.78				
28	35.56	7.62	10.16												

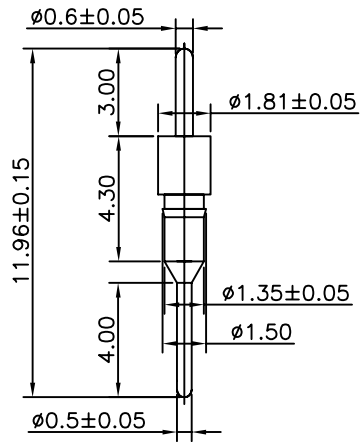
X ± 0.30	UNITS	NAME:	深圳市盛隆丰实业有限公司 深圳市君灏精密工业有限公司 TITLE: XX芯2.54pitch圆针IC插座-XXmm圆针插座 DWG NO.:
.X ± 0.20	M M	XX芯圆针IC插座	
.XX ± 0.10	MAT'L	PART NO.:	
.X° ± 2°	FINISH	R-111-XXX-10-XXXX-32	
THESE DRAWINGS AND SPECIFICATIONS ARE THE PROPERTY OF JUNHAO ENGINEERING CO.LTD. AND SHALL NOT BE REPRODUCED COPIED OR USED IN ANY MANNER WITHOUT THE PRIOR WRITTEN CONSENT OF JUN HAO ENGINEERING CO.,LTD			APPD:
			CHKD:
			DR: <b>Jacky</b>
			SCALE
			SHEET
			REV.
			1:1
			1/2
			A0

REV.	ECN NO.	APPD	DATE
A0			



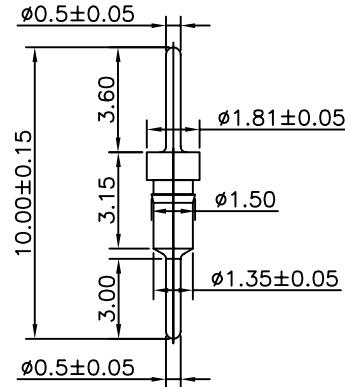
12.15mm PIN

P/N0 :R-P-127-1215-000-021



11.96mm PIN

P/N0 :R-P-127-1196-000-021



10.00mm PIN

P/N0 :R-P-127-1000-000-021

### MATERIAL&FINISH

CONTACT:BRASS

PLATING:GOLD or Tin OVER 50u" Ni

CURRENT RATING:3.0Amps/PIN

CONTACT RESISTANCE:<=10m OHMS/PIN

VOLTAGE RESISTANCE:500 VRMS

DIM D=10mm;11.96mm;12.15mm

### HOW TO ORDER

R - P - 127 - XXXX - 000 - 0XX

RoHS/Lead Free	
Code	Definition
Blank	Non-RoHS
R	RoHS

PIN length	
Code	Definition
0091	9.1mm
0097	9.7mm
1000	10.0mm
1040	10.4mm
1065	10.65mm
1196	11.96mm
1215	12.15mm
1233	12.33mm
1490	14.9mm

PIN material	
Code	Definition
0	BRASS(H59)
1	BRASS(H62)
2	BRASS(H65)
3	BRASS(C2680)
7	BRONZE(C5191)

Contacts plated	
Code	Definition
0	No plated
1	Au1u"
2	Au3u"
3	Au5u"
4	Au10u"
5	Au15u"
6	Au30u"
7	Light Tin 200u"

X ± 0.30	UNITS M M	NAME: XX.XXmm圆针	深圳市盛隆丰实业有限公司 深圳市君灏精密工业有限公司
.X ± 0.20	MATL	PART NO.:	
.XX ± 0.10	FINISH	R-P-127-XXXX-000-0XX	TITLE: XX芯2.54pitch圆针IC插座-XX.XXmm圆针
.X° ± 2°		APPD:	DWG NO.:
THESE DRAWINGS AND SPECIFICATIONS ARE THE PROPERTY OF JUN HAO ENGINEERING CO.,LTD. AND SHALL NOT BE REPRODUCED COPIED OR USED IN ANY MANNER WITHOUT THE PRIOR WRITTEN CONSENT OF JUN HAO ENGINEERING CO.,LTD.			CHKD:
DR: Jacky			SCALE SHEET REV. 1:1 1/2 A0