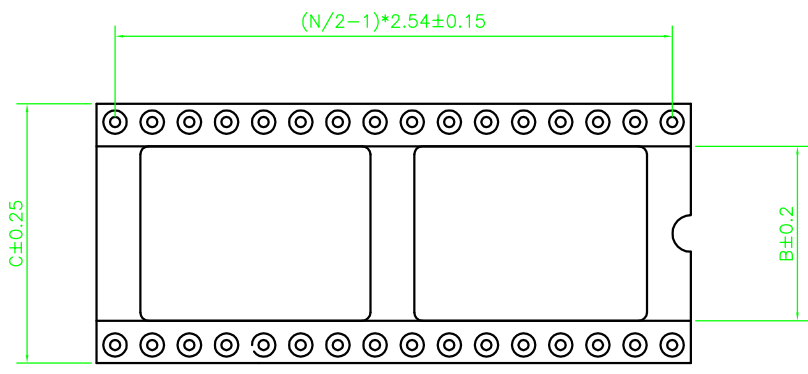
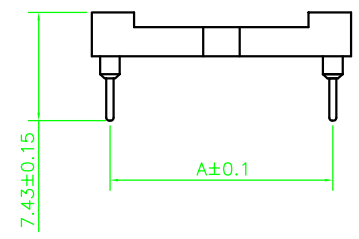
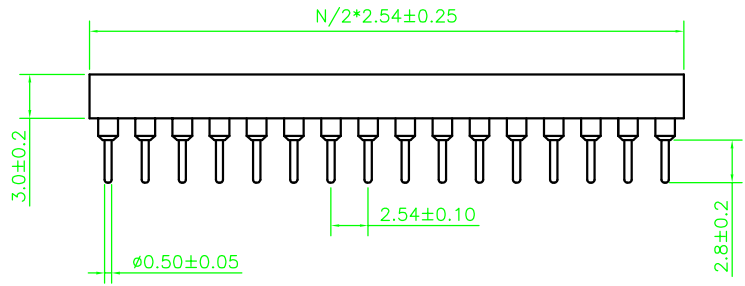


| SIGN | DATE | DESCRIPTION | APPROVER |
|------|------|-------------|----------|
| △ | | | |
| △ | | | |
| △ | | | |



| | 三型 | 四型 | 六型 | 九型 |
|---|-------|-------|-------|-------|
| A | 7.62 | 10.16 | 15.24 | 22.86 |
| B | 4.14 | 6.68 | 11.76 | 19.38 |
| C | 10.12 | 12.66 | 17.74 | 25.36 |

1.ELECTRICAL:

Current rating:3.0Amps/Contact MAX
 Contact resistance:20mΩ/ Contact MAX
 Insulation resistance:1000MΩ at V=100V MIN
 Operating voltage:60V AC/DC

2.MECHANICAL

Average insertion force with steel pin of ø0.43mm:250g MAX
 Average with drawal force with steel pin of ø0.43mm:25G MIN
 Mechanical life cycle:200 cycle MIN
 Operating temperatures:
 Gold plated:-55°C to +125°C
 Tin plated:-40°C ti +105°C
 Soldering Temperature:PPS:+260°C,10S MAX
 PBT:+240°C,10S MAX

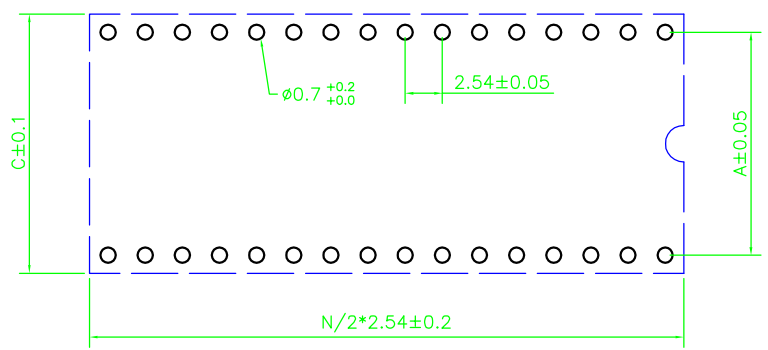
3.Material

PIN: Brass,machined
 CLIP: Beryllium Copper or Phosphor Bronze
 Plating(PIN):50u" Ni,100u" Sn(standard)
 Plating(Clip):50u" Ni,GOLD FLASH(standard)
 Insulator body(Black):PPS or other(UL94V-0)

Ordering Information

R - 1 0 0 - X X X - X X - 1001 - 00

| RoHS | | NUMBER OF PIN | | Dip Spacing | | Housing type | | PITCH | |
|-------|------------|---------------|---------------|-------------|------------|--------------|-------------|-------|------------|
| Code | Definition | Code | Number of PIN | Code | Definition | Code | Definition | Code | Definition |
| Blank | No-RoHS | 06 | 6Pin | 3 | 7.62 | 1 | with bar | 0 | 2.54 |
| R | RoHS | ... | ... | 4 | 10.16 | 2 | without bar | 7 | 1.778 |
| | | 64 | 64Pin | 6 | 15.24 | | | | |
| | | | | 9 | 22.86 | | | | |



P.C. Board Layout

JHJM 深圳市君灏精密工业有限公司
 SHENZHEN JUNHAO ENGINEERING CO.,LTD

| | | | | | |
|---------------------------|------------|-------------|----------|-------------|------------|
| PART. NAME: XX芯X型圆孔IC插座系列 | | | | TITLE: | |
| PART. NO.: SEE TABLE | | | | DWG NAME: | |
| APPROVED BY | CHECKED BY | DESIGNED BY | DRAWN BY | CUSTOM NO.: | Tolerance |
| | | | Jacky | | x. ±0.50 |
| | | | | UNITS: mm | x.x ±0.30 |
| | | | | SCALE: | x.xx ±0.10 |
| | | | | REVISION: | xx° ±1° |