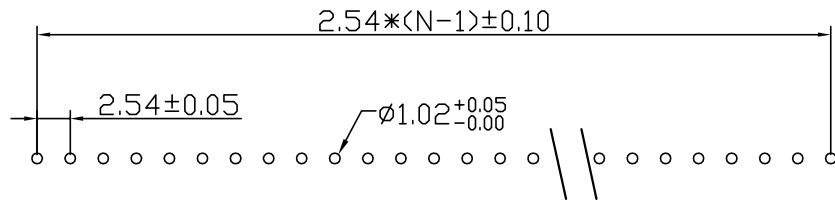
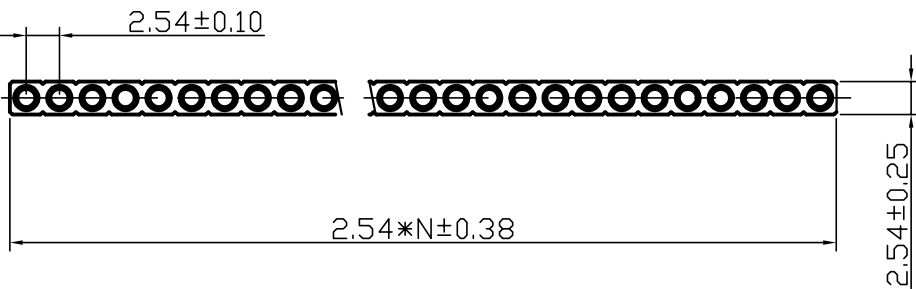
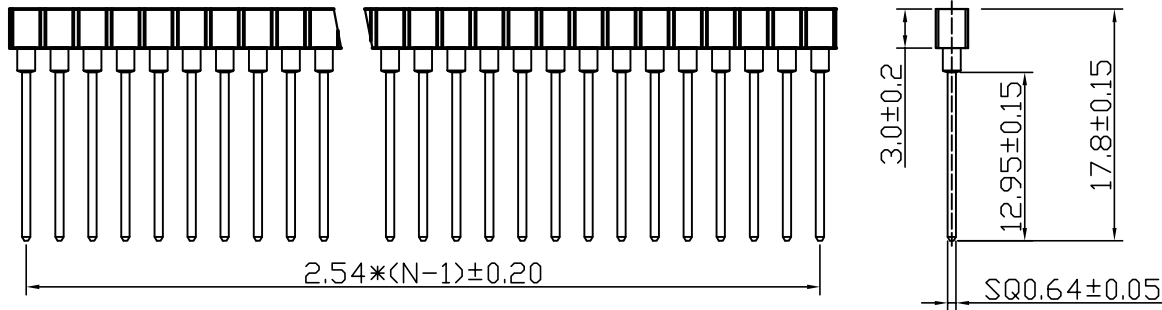


REV.	ECN NO.	APPD	DATE
A0			



P.C.Board Layout

ELECTRICAL:

Current rating:3.0Amps/Contact MAX
 Contact resistance:20mΩ / Contact MAX
 Insulation resistance:1000MΩ at V=100V MIN
 Operating voltage:60V AC/DC

MECHANICAL

Average insertion force with steel pin of Ø0.43mm:250g MAX
 Average with drawal force with steel pin of Ø0.43mm:25G MIN
 Mechanical life cycle:200 cycle MIN
 Operating temperatures:
 Gold plated:-55°C to +125°C
 Tin plated:-40°C to +105°C
 Soldering Temperature:+260°C,10S MAX

Material

PIN: Brass,machined
 CLIP: Beryllium Copper
 Plating(PIN):50u" Ni,100u" Sn
 Plating(Clip):50u" NI,GOLD FLASH
 Insulator body(Black):PPS or other(UL94V-0)

Ordering Information

R - 1 2 2 - 1- XXX0 - 1001 - 3X

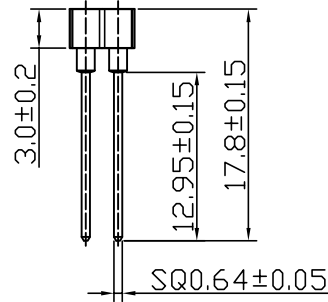
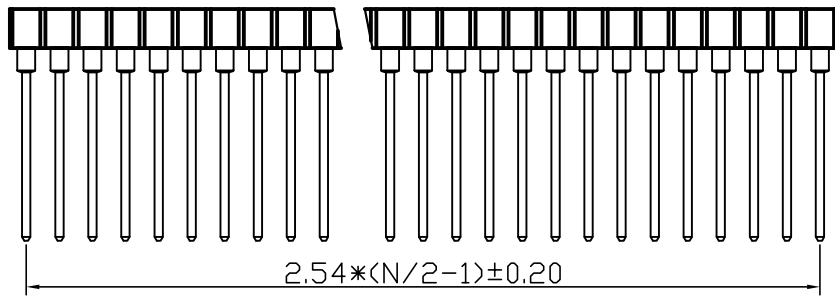
NUMBER OF PIN	
Code	Number of PIN
01	01Pin
...	...
40	40Pin

Pin Spacing(PITH)	
Code	Definition
1	2.54mm
2	5.08mm
3	7.62mm

Insulator material	
Code	Definition
1	PPS
2	PBT

X ±0.30	UNITS M M	NAME: 2.54pitch单排圆孔方针插座	深圳市盛隆丰实业有限公司 深圳市君灏精密工业有限公司
.X ±0.20	MAT'L	PART NO.: X-122-1-XX10-1001-31	
.XX±0.10	FINISH	APPD:	TITLE: XX芯2.54pitch单排-17.8mm圆孔方针插座
.X* ±2*		CHKD:	DWG NO.:
THESE DRAWINGS AND SPECIFICATIONS ARE THE PROPERTY OF JUNHAD ENGINEERING CO.,LTD. AND SHALL NOT BE REPRODUCED COPIED OR USED IN ANY MANNER WITHOUT THE PRIOR WRITTEN CONSENT OF JUN HAD ENGINEERING CO.,LTD		DR: Jacky	SCALE SHEET REV. 1:1 1/1 A0

REV.	ECN NO.	APPD	DATE
A0			



ELECTRICAL:

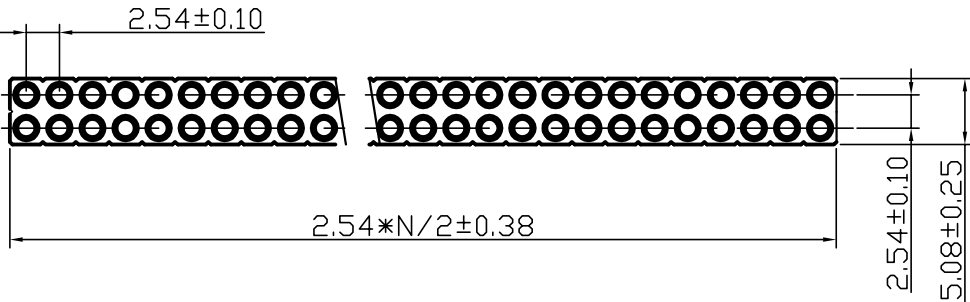
Current rating:3.0Amps/Contact MAX
 Contact resistance:20mΩ / Contact MAX
 Insulation resistance:1000MΩ at V=100V MIN
 Operating voltage:60V AC/DC

MECHANICAL

Average insertion force with steel pin of Ø0.43mm:250g MAX
 Average with drawal force with steel pin of Ø0.43mm:25G MIN
 Mechanical life cycle:200 cycle MIN
 Operating temperatures:
 Gold plated:-55°C to +125°C
 Tin plated:-40°C to +105°C
 Soldering Temperature:+260°C,10S MAX

Material

PIN: Brass,machined
 CLIP: Beryllium Copper
 Plating(PIN):50u" Ni,100u" Sn
 Plating(Clip):50u" Ni,GOLD FLASH
 Insulator body(Black):PPS or other(UL94V-0)



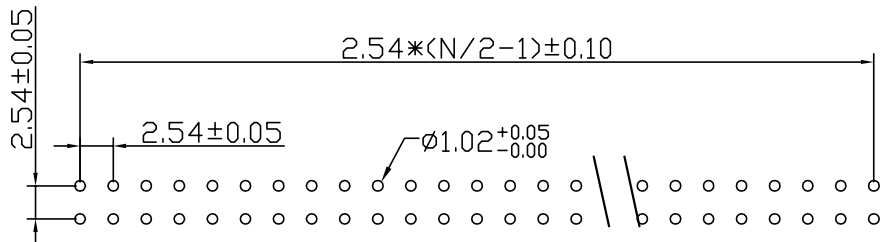
Ordering Information

R - 1 2 2 - 2 - XXX0 - 1001 - 3X

NUMBER OF PIN	
Code	Number of PIN
01	01Pin
...	...
40	40Pin

Pin Spacing(PITH)	
Code	Definition
1	2.54mm
2	5.08mm
3	7.62mm

Insulator material	
Code	Definition
1	PPS
2	PBT



P.C.Board Layout

X ±0.30	UNITS	NAME:	深圳市盛隆丰实业有限公司 深圳市君灏精密工业有限公司						
.X ±0.20	M M	2.54pitch双排圆孔方针插座							
.XX ±0.10	MAT'L	PART NO.:	TITLE:						
.X* ±2*	FINISH	APPD:	XX芯2.54pitch双排-17.8mm圆孔方针插座						
THESE DRAWINGS AND SPECIFICATIONS ARE THE PROPERTY OF JUNHAD ENGINEERING CO.,LTD. AND SHALL NOT BE REPRODUCED COPIED OR USED IN ANY MANNER WITHOUT THE PRIOR WRITTEN CONSENT OF JUN HAD ENGINEERING CO.,LTD			DWG NO.:						
		CHKD:	<table border="1"> <tr> <th>SCALE</th> <th>SHEET</th> <th>REV.</th> </tr> <tr> <td>1:1</td> <td>1/1</td> <td>A0</td> </tr> </table>	SCALE	SHEET	REV.	1:1	1/1	A0
SCALE	SHEET	REV.							
1:1	1/1	A0							
		DR: Jacky							