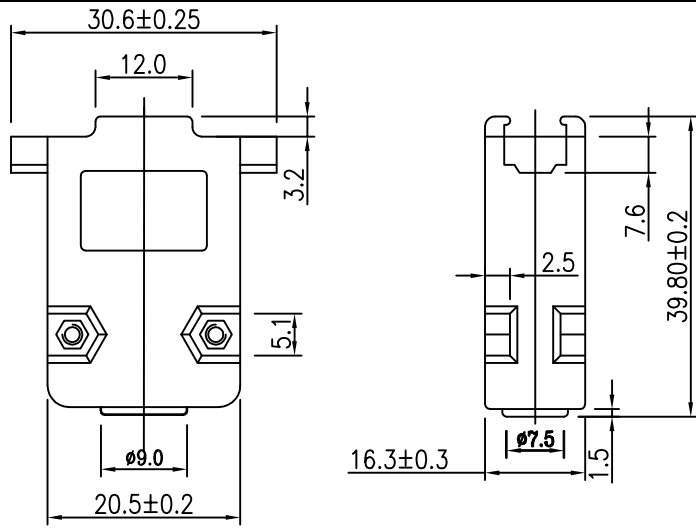


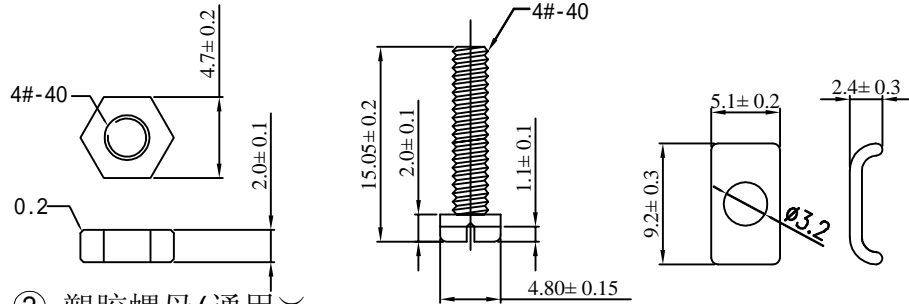
SIGN	DATE	DESCRIPTION	APPROVER
△			
△			
△			



① 塑胶主体(9PIN)

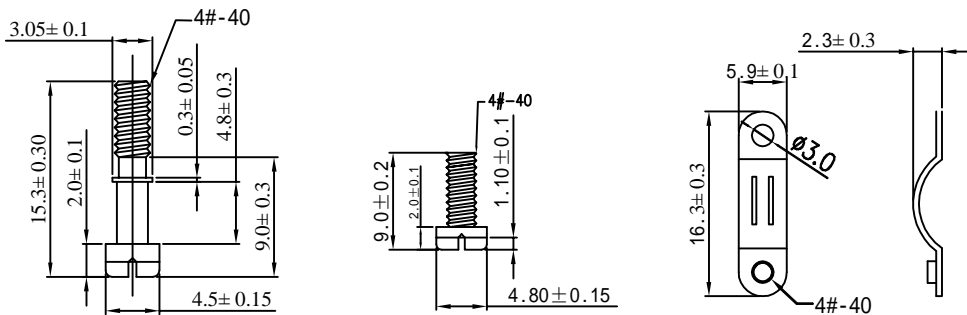
SPECIFICATIONS:
 Current rating:NONE
 Voltage rating:NONE
 Contact resistance:NONE
 Insulation resistance:1000M ohm MIN
 Withstanding voltage:1000V AC for one minute
 Operating temperature range:-40°C~+85°C

MATERIAL AND FINISH
 Insulator:ABS or HIPS (UL94V-0)
 Contact:Copper Alloy
 Finish:Zn Plated or Cr Plated



② 塑胶螺母(通用)

③ 塑壳螺丝(通用) ④ 卡片(通用)



⑤ 卡片螺丝(通用)

⑥ 线夹螺丝(通用)

⑦ 线夹(9Pin)

Ordering Information

X	SUB	B0X0	002X	XX0
RoHS	Number of contacts	Fitting Plated	Insulator material/Plated	Insulator color
Code Definition	Code Definition	Code Definition	Code Definition	Code Definition
Blank Non-RoHS	A 9 PIN	N Ni	D ABS No Plated	0 Black
R RoHS	B 15 PIN	P Colour Zn	E ABS Cr Plated	8 Gray
	C 25 PIN	Q Blue Zn	H HIPS No Plated	
	E 37 PIN	R Cr ³⁺		

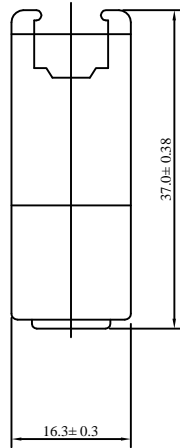
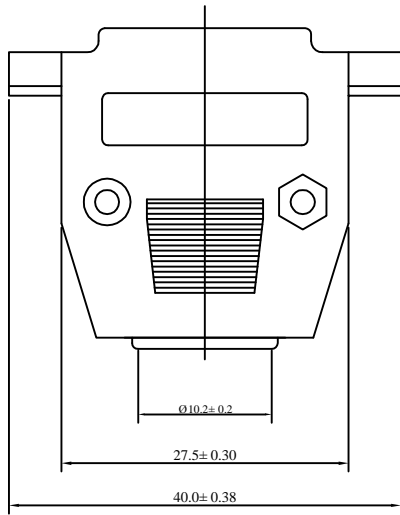
JHJM 深圳市君灏精密工业有限公司
 SHENZHEN JUNHAO ENGINEERING CO., LTD

PART. NAME: DB9芯塑胶壳及配件 TITLE:
 PART. NO.: SEE TABLE DWG NAME:
 APPROVED BY CHECKED BY DESIGNED BY DRAWN BY CUSTOM NO.:
 Tolerance ±0.50
 x. ±0.30
 x.xx ±0.10
 xx° ±1°

UNITS: mm
 SCALE: xx°
 REVISION:A1

2010.9.18 Jacky

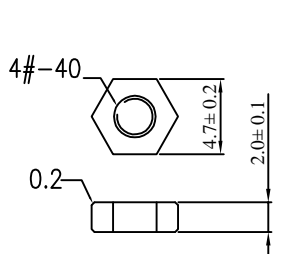
REV.	ECN NO.	APPD	DATE
A1			



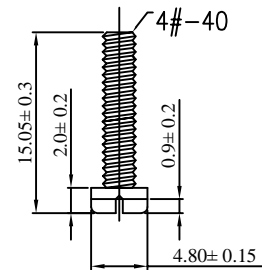
SPECIFICATIONS:
Current rating:NONE
Voltage rating:NONE
Contact resistance:NONE
Insulation resistance:1000M ohm MIN
Withstanding voltage:1000V AC for one minute
Operating temperature range:-40°C~+85°C

MATERIAL AND FINISH
Insulator:ABS or HIPS (UL94V-0)
Contact:Copper Alloy
Finish:Zn Plated or Cr Plated

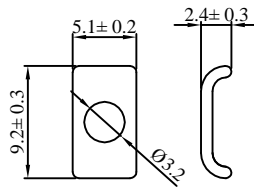
① 塑胶主体 (15PIN)



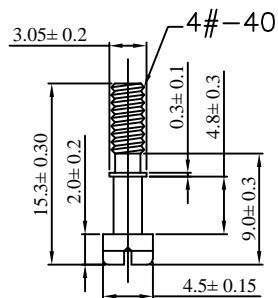
② 塑胶螺母 (通用)



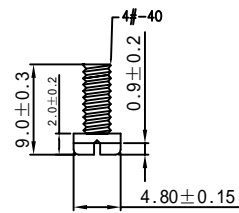
③ 塑壳螺丝 (通用)



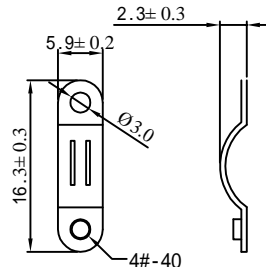
④ 卡片 (通用)



⑤ 卡片螺丝 (通用)



⑥ 线夹螺丝 (通用)



⑦ 线夹 (9Pin)

Ordering Information

X - SUB - B0X0 - 002X - XX0

RoHS	
Code	Definition
Blank	Non-RoHS
R	RoHS

Number of contacts	
Code	Definition
A	9 PIN
B	15 PIN
C	25 PIN
E	37 PIN

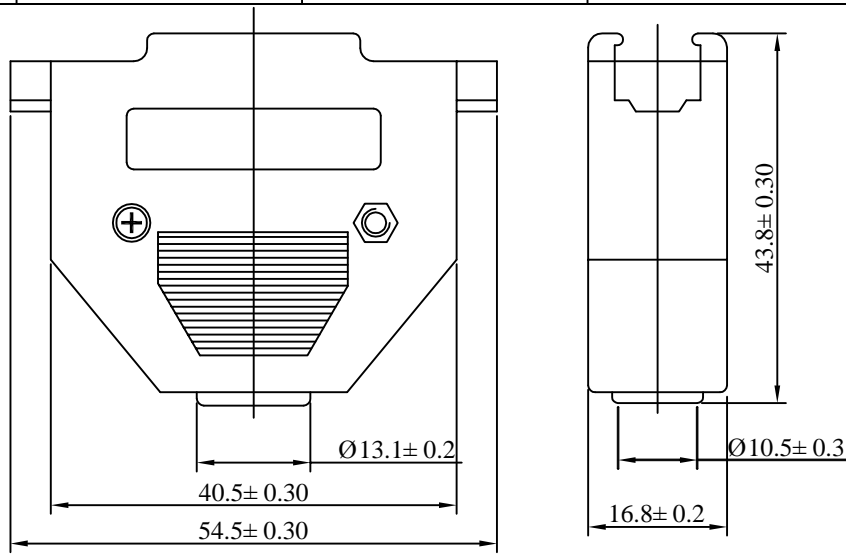
Fitting Plated	
Code	Definition
N	Ni
P	Colour Zn
Q	Blue Zn
R	Cr ³⁺

Insulator material/Plated	
Code	Definition
D	ABS No Plated
E	ABS Cr Plated
H	HIPS No Plated

Insulator color	
Code	Definition
0	Black
8	Gray

X ± 0.3	UNITS	MM	NAME: D-SUB HOOD 15P	深圳市君灏精密工业有限公司 SHENZHEN JUNHAO ENGINEERING CO.,LTD		
.X ± 0.1	MATL	PART NO.:	SEE TABLE			
.XX ± 0.05	FINISH	APPD:		TITLE:		
.X° ± 2°		CHKD:		DWG NO.:		
<small>THESE DRAWINGS AND SPECIFICATIONS ARE THE PROPERTY OF JUNHAO ENGINEERING CO.,LTD. AND SHALL NOT BE REPRODUCED COPIED OR USED IN ANY MANNER WITHOUT THE PRIOR WRITTEN CONSENT OF JUNHAO ENGINEERING CO.,LTD.</small>			DR: Jacky(2011.06.18)	EP-C-SUB-B0B0-0020		
				SCALE	SHEET	REV.
				1:1	1/1	A1

SIGN	DATE	DESCRIPTION	APPROVER
△			
△			
△			



① 塑胶主体(25PIN)

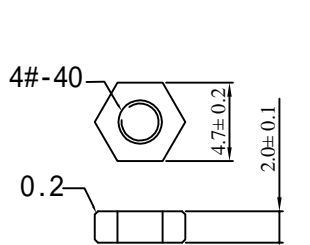
SPECIFICATIONS:
 Current rating:NONE
 Voltage rating:NONE
 Contact resistance:NONE
 Insulation resistance:1000M ohm MIN
 Withstanding voltage:1000V AC for one minute
 Operating temperature range:-40°C~+85°C

MATERIAL AND FINISH

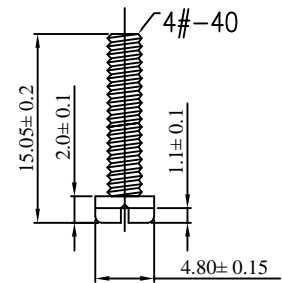
Insulator:ABS or HIPS (UL94V-0)
 Contact:Copper Alloy
 Finish:Zn Plated or Cr Plated

Ordering Information

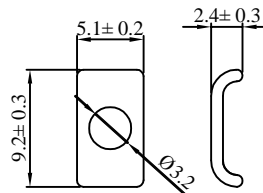
X	SUB	B0X0	002X	XX0
RoHS	Number of contacts	Fitting Plated	Insulator material/Plated	Insulator color
Code Definition	Code Definition	Code Definition	Code Definition	Code Definition
Blank Non-RoHS	A 9 PIN	N Ni	D ABS No Plated	0 Black
R RoHS	B 15 PIN	P Colour Zn	E ABS Cr Plated	8 Gray
	C 25 PIN	Q Blue Zn	H HIPS No Plated	
	E 37 PIN	R Cr ³⁺		



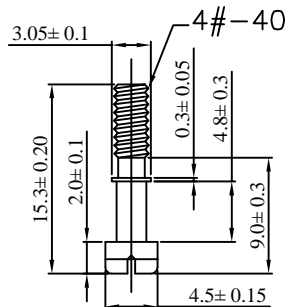
② 塑胶螺母(通用)



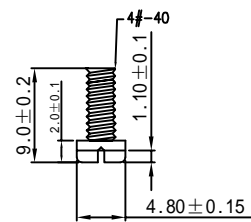
③ 塑壳螺丝(通用)



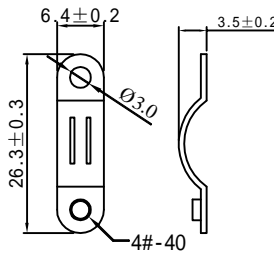
④ 卡片(通用)



⑤ 卡片螺丝(通用)



⑥ 线夹螺丝(通用)

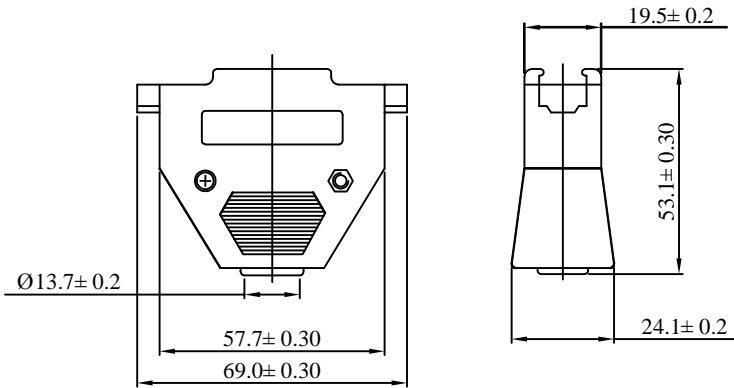


⑦ 线夹(25Pin)

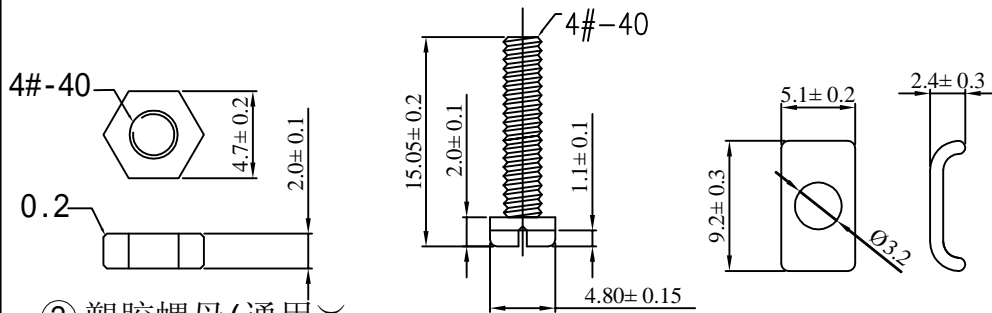
JHJM 深圳市君灏精密工业有限公司
 SHENZHEN JUNHAO ENGINEERING CO., LTD

PART. NAME: DB25芯塑胶壳及配件				TITLE:	
PART. NO.: SEE TABLE				DWG NAME:	
APPROVED BY	CHECKED BY	DESIGNED BY	DRAWN BY	CUSTOM NO.: 1-1	Tolerance ±0.50
			Jacky	UNITS: mm	x.x ±0.30
				SCALE:	x.xx ±0.10
				REVISION:A0	xx° ±1°

SIGN	DATE	DESCRIPTION	APPROVER
△			
△			
△			

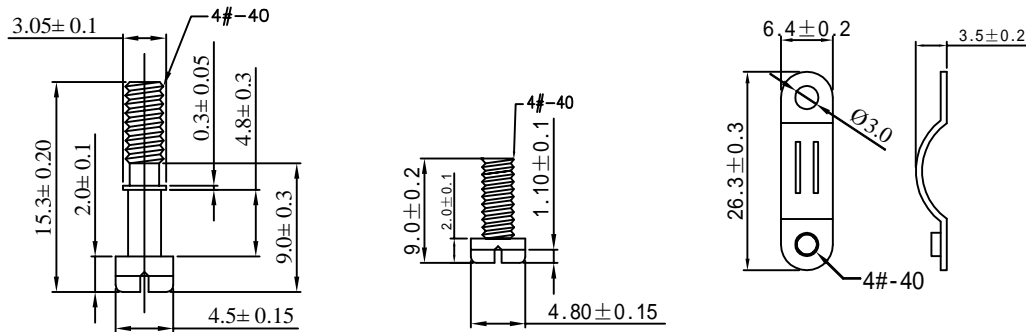


① 塑胶主体(37PIN)



② 塑胶螺母(通用)

③ 塑壳螺丝(通用) ④ 卡片(通用)



⑤ 卡片螺丝(通用)

⑥ 线夹螺丝(通用)

⑦ 线夹(25Pin)

SPECIFICATIONS:

Current rating:NONE

Voltage rating:NONE

Contact resistance:NONE

Insulation resistance:1000M ohm MIN

Withstanding voltage:1000V AC for one minute

Operating temperature range:-40°C~+85°C

MATERIAL AND FINISH

Insulator:ABS or HIPS (UL94V-0)

Contact:Copper Alloy

Finish:Zn Plated or Cr Plated

Ordering Information

X - SUB - B0X0 - 002X - XX0

RoHS	
Code	Definition
Blank	Non-RoHS
R	RoHS

Number of contacts	
Code	Definition
A	9 PIN
B	15 PIN
C	25 PIN
E	37 PIN

Fitting Plated	
Code	Definition
N	Ni
P	Colour Zn
Q	Blue Zn
R	Cr ³⁺

Insulator material/Plated	
Code	Definition
D	ABS No Plated
E	ABS Cr Plated
H	HIPS No Plated

Insulator color	
Code	Definition
0	Black
8	Gray



深圳市君灏精密工业有限公司
SHENZHEN JUNHAO ENGINEERING CO., LTD

PART. NAME: DB37芯塑胶壳及配件				TITLE:	
PART. NO.: SEE TABLE				DWG NAME:	
APPROVED BY	CHECKED BY	DESIGNED BY	DRAWN BY	CUSTOM NO.: 1-1	Tolerance
			Facky	UNITS: mm	x. ±0.50
			2010.9.18	SCALE:	x.xx ±0.30
				REVISION:A1	xx° ±0.10
					±1°