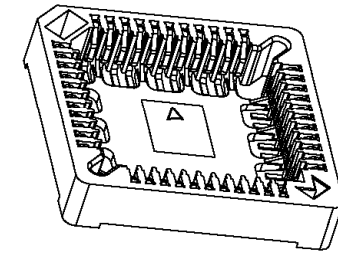
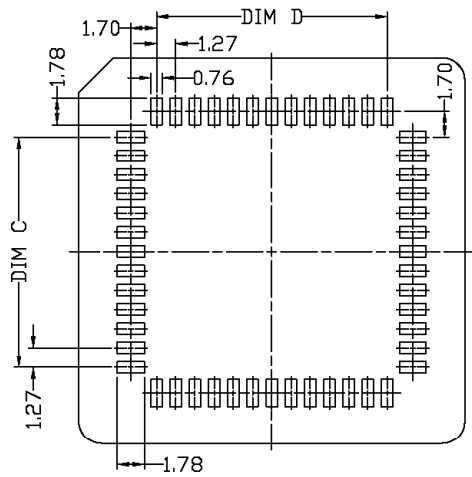


REV.	ECN NO.	APPD	DATE
A0	---	Wang	08/12/15
A1	ECN-09070011	Wang	11/04/20



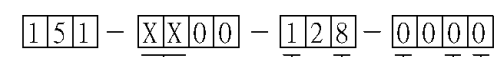
Material
 Contact: Phosphor bronze
 Surface of terminal: 50u"nickel
 Matte Tin plated 150u"
 Insulator body: PPS (UL94V-0 rated),
 Brown plastic

Electrical
 Current rating: 1Amp/Pin max
 Contact resistance: <20mΩ,
 Insulation resistance: >1000MΩ,
 Withstanding voltage: 500Vrms(1 min)
 Mechanical:
 Operating temperatures: -55° C to +110° C
 Preservation temperatures: -10° C to +40° C
 Lead-free and RoHS compliance

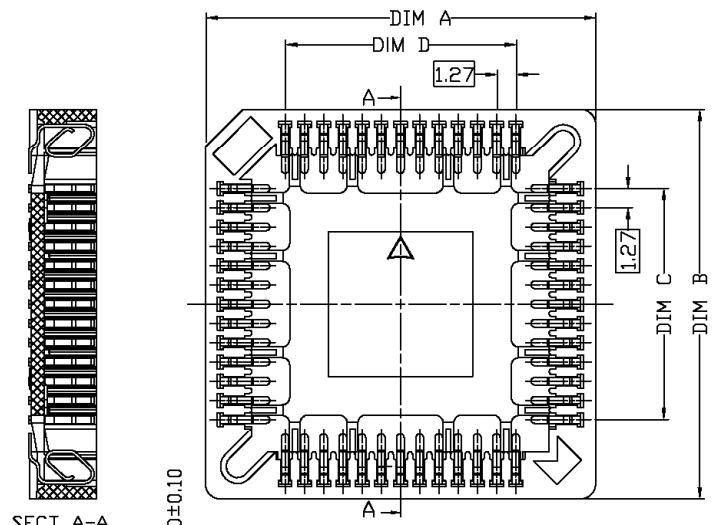


RECOMMENDED PCB FOOTPRINT

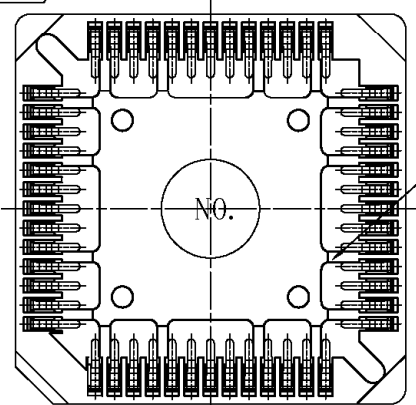
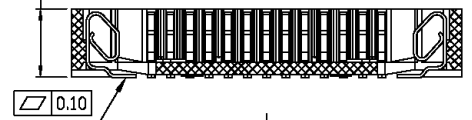
Ordering Information



Number of contacts		Insulator material		Contacts plating		Contact		packaging		Logo	
No. of contacts	Code	Code	Definition	Code	Definition	Code	Definition	Code	Definition	Code	Definition
20,28,52	1	PPS		8	Matte Tin plated 150u"	0	Phosphor bronze	0	Tube	0	---
68,84	2	PBT		-	Other	2	Brass	i	Carrier Tape		



SECT A-A



NO. OF CONTACT	DIM. A ±0.25	DIM. B ±0.25	DIM. C ±0.12	DIM. D ±0.12	Insulation number
20	15.65	15.65	5.08	5.08	4*2PCS
28	18.20	18.20	7.62	7.62	4*2PCS
52	25.82	25.82	15.24	15.24	4*4PCS
68	30.90	30.90	20.32	20.32	4*6PCS
84	35.98	35.98	25.40	25.40	4*6PCS

X ±0.30	UNITS	NAME:
.X ±0.20	M M	PLCC SMT TYPE SOCKET
.XX ±0.10	MAT'L	PART NO.:
.X* ±2°	FINISH	SEE TABLE
		APPD:
		CHKD:
		DR:

JWHM 深圳市君灏精密工业有限公司
 SHENZHEN JUNHAO ENGINEERING CO., LTD

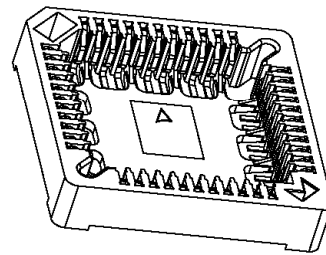
TITLE: PLCC SMT TYPE SOCKET

DWG NO.: EP-C-151-1270-0080

SCALE	SHEET	REV.
1:1	1/1	A1

THESE DRAWINGS AND SPECIFICATIONS ARE THE PROPERTY OF JUNHAO ENGINEERING CO.,LTD. AND SHALL NOT BE REPRODUCED, COPIED OR USED IN ANY MANNER WITHOUT THE PRIOR WRITTEN CONSENT OF JUN HA O ENGINEERING CO.,LTD

REV.	ECN NO.	APPD	DATE
A0	---	Wang	08/12/15
A1	ECN-09070011	Wang	11/04/20



Material
 Contact: Phosphor bronze
 Surface of terminal: 50u"nickel
 Matte Tin plated 150u"
 Insulator body: PPS (UL94V-0 rated),
 Brown plastic

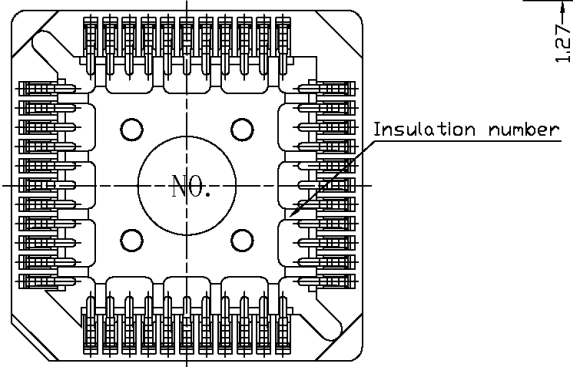
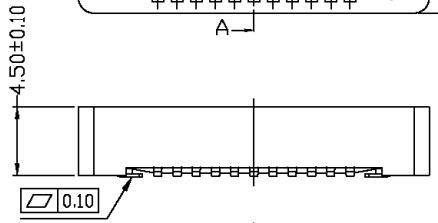
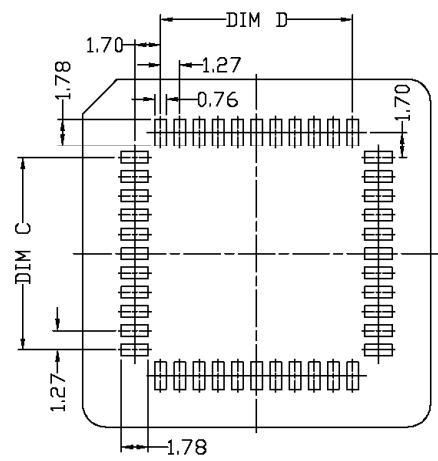
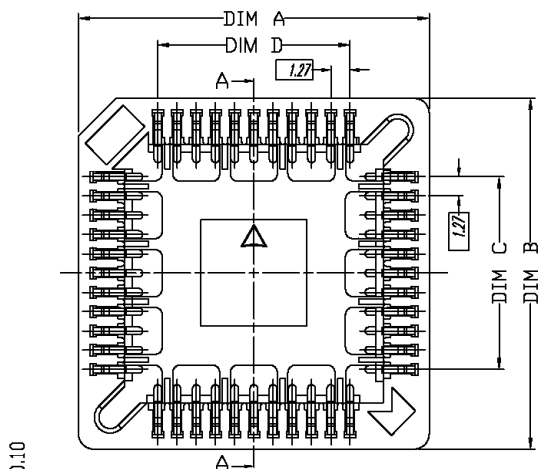
Electrical
 Current rating: 1Amp/Pin max
 Contact resistance: <20mΩ,
 Insulation resistance: >1000MΩ,
 Withstanding voltage: 500Vrms(1 min)

Mechanical:
 Operating temperatures: -55° C to +110° C
 Preservation temperatures: -10° C to +40° C
 Lead-free and RoHS compliance

Ordering Information

151 - XX00 - 128 - 0000

Number of contacts		Insulator material		Contacts plating		Contact		packaging		Logo	
No. of contacts	Code	Code	Definition	Code	Definition	Code	Definition	Code	Definition	Code	Definition
32,44	1	PPS		8	Matte Tin plated 150u"	0	Phosphor bronze	0	Tube	0	---
	2	PBT		-	Other	2	Brass	i	Carrier Tape		



RECOMMENDED PCB FOOTPRINT

NO. OF CONTACT	DIM. A ±0.25	DIM. B ±0.25	DIM. C ±0.12	DIM. D ±0.12	Insulation number
32	18.10	20.70	10.16	7.62	2*2PCS 2*4PCS
44	23.20	23.20	12.70	12.70	4*4PCS

X ±0.30	UNITS	NAME:
.X ±0.20	M M	PLCC SMT G TYPE SOCKET
.XX ±0.10	MAT'L	PART NO.:
.X* ±2°	FINISH	SEE TABLE
		APPD:
		CHKD:
		DR:

JUNHAO 深圳市君灏精密工业有限公司
 SHENZHEN JUNHAO ENGINEERING CO., LTD

TITLE:
 PLCC SMT G TYPE SOCKET 32&44pin

DWG NO.:

EP-C-151-1270-0079		
SCALE	SHEET	REV.
1:1	1/1	A1

THESE DRAWINGS AND SPECIFICATIONS ARE THE PROPERTY OF JUNHAO ENGINEERING CO.,LTD. AND SHALL NOT BE REPRODUCED, COPIED OR USED IN ANY MANNER WITHOUT THE PRIOR WRITTEN CONSENT OF JUN HA O ENGINEERING CO.,LTD