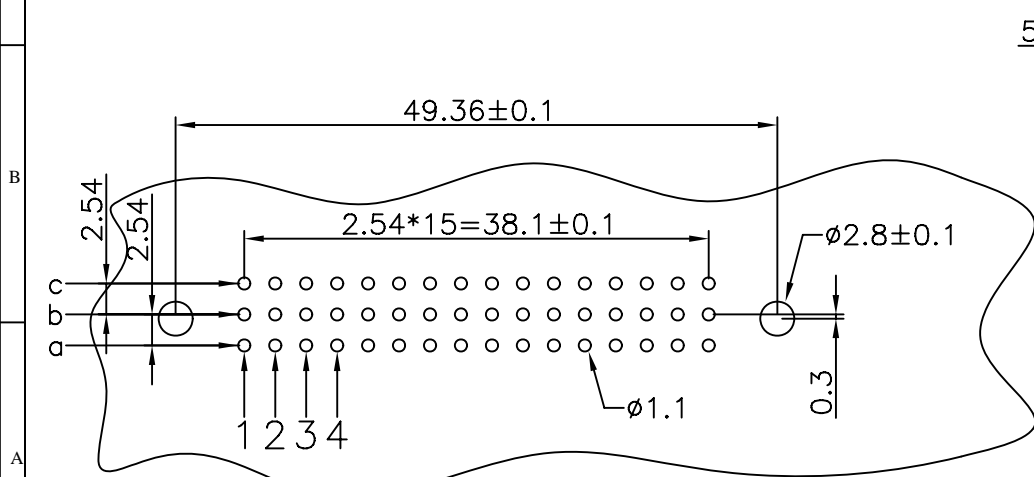
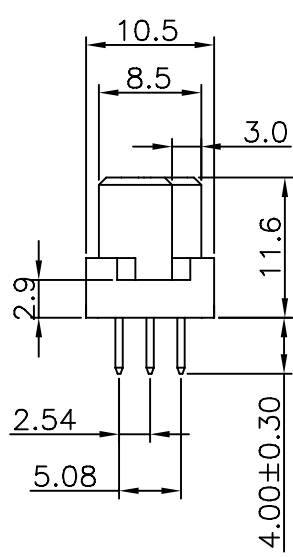
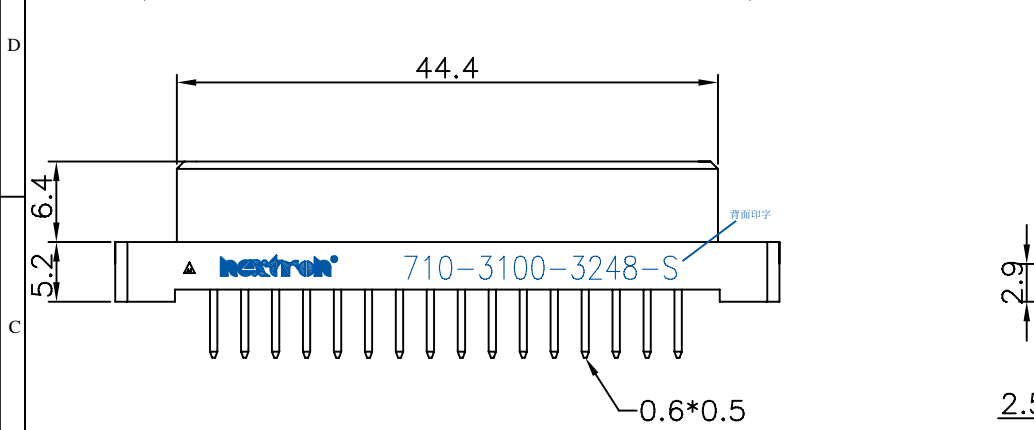
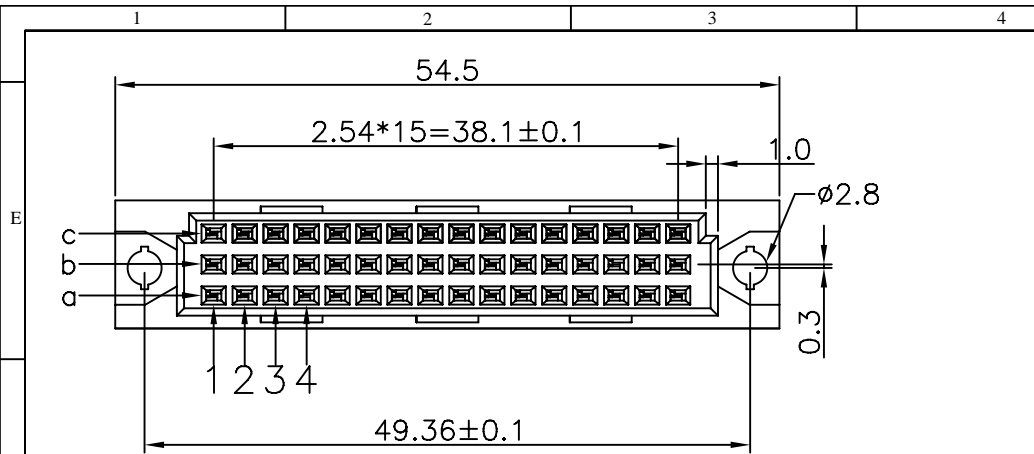


SIGN	DATE	DESCRIPTION	APPROVER
△	170504	Add part No. and nextron logo	Jacky Liu

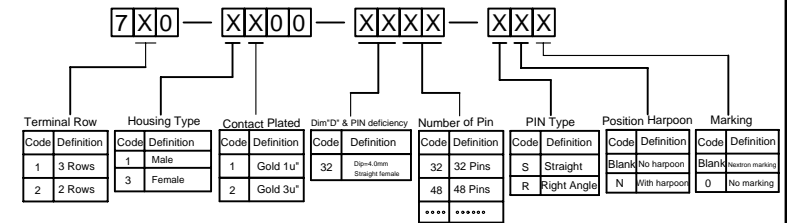


P.C.B Board Layout(Top Side)
(PCB Tolerance ±0.05)

Material:
Housing:30%Glass filled
PBT UL94V-0
Contacts:Brass.

Electrical Characteristics:
Current Rating:2 AMP.
Dielectric Withstanding
Voltage:1000V for 1 minute.
Insulator Resistance:
1000MΩ min. at DC 500V.
Contact Resistance:
30mΩ max. at DC 100mA.
Operating Temperature:
-55°C~+105°C.

Ordering Information



JHJM 深圳市君灏精密工业有限公司
SHENZHEN JUNHAO ENGINEERING CO.,LTD

PART. NAME: 348直孔欧式插座				TITLE: DIN41612/348直孔/有字	
PART. NO.: 710-3100-3248-S				DWG NAME: C-710-3100-3248-001	
APPROVED BY	CHECKED BY	DESIGNED BY	DRAWN BY	CUSTOM NO.:	Tolerance
			Jacky		x. ±0.30
			2020.07.08		x.x ±0.20
					x.xx ±0.10
					xx' ±1'