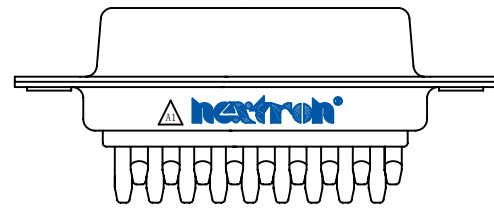
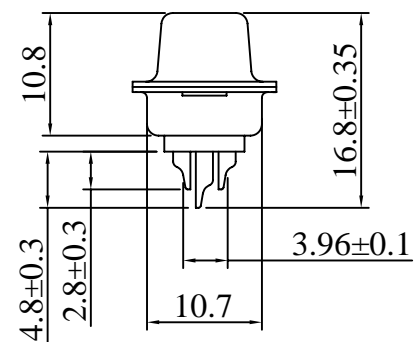
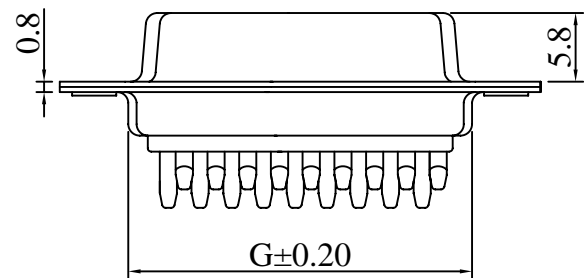
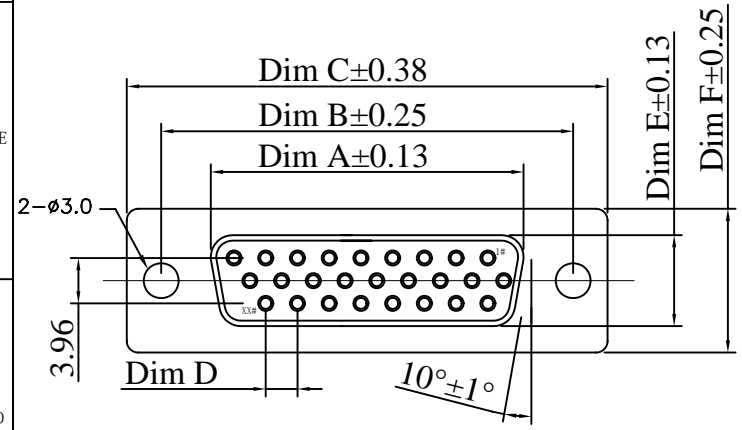
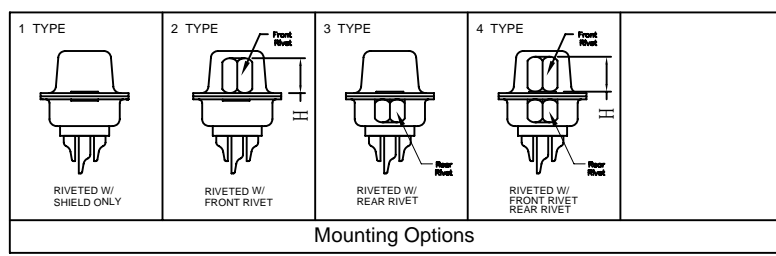


SIGN	DATE	DESCRIPTION	APPROVER
▲	170509	Add nextron logo	Jacky liu
▲	190124	Add Nut post height	Jacky Liu



POS. NO.	A	B	C	D	E	F	G
78P	52.23	61.10	67.10	2.41	10.80	12.50	
62P	54.84	63.50	69.32	2.41	7.92	12.50	57.30
44P	38.38	47.04	53.04	2.29	7.92	12.50	41.10
26P	24.66	33.32	39.14	2.29	7.92	12.50	27.70
15P	16.33	24.99	30.81	2.29	7.92	12.50	

DIMENSION



SPECIFICATIONS:

Current rating:3.0A AC/DC
Voltage rating:250V AC/DC
Contact resistance:30m ohm MAX
Insulation resistance:1000M ohm MIN
Withstanding voltage:1000V AC for one minute
Operating temperature range:-40°C~+85°C

MATERIAL AND FINISH

Insulator:PBT+30%G.F(UL94V-0)
Contact:Copper Alloy Nickel Undercoated
Selective Gold Plated
Finish:Metal Iron With Tin Plated

Ordering Information

SUB - HBXF - XXXX - XXX

Number of contacts		Housing Type	Mounting Options	Nut post height	Contacts Material	Contact Plated	Insulator material	Insulator color	Mark
Code	Definition	Code	Definition	Code	Definition	Code	Definition	Code	Definition
B	15 PIN	M	0 NO ACCESSORY	0	H=5.8mm	2	Brass	A	Gold 1u"/Light Tin
D	26 PIN		1 RIVETED W/ SHIELD ONLY	1	H=4.8mm	7	Phosphor bronze	B	Gold 3u"/Light Tin
F	44 PIN		2 RIVETED W/ FRONT RIVET					C	Gold 5u"/Light Tin
G	62 PIN		3 RIVETED W/ REAR RIVET					E	Gold 15u"/Light Tin
H	78 PIN		4 RIVETED W/ FRONT RIVET REAR RIVET					F	Gold 30u"/Light Tin

nextron 正凌精密工业股份有限公司
NEXTRONICS ENGINEERING CORP

PART. NAME: D型XX芯高密焊线式焊接插座(孔) TITLE: D-SUB/HDB/xxP/Female

PART. NO.: SEE TABLE DWG NAME: C-SUB-HB0F-0001

APPROVED BY: Jonnson CHECKED BY: Jeff DESIGNED BY: allan DRAWN BY: Jacky 2019.01.24

CUSTOM NO.: Tolerance
x. ±0.50
x.x ±0.30
x.xx ±0.10
xx° ±1°

UNITS: mm
SCALE:
REVISION:A2