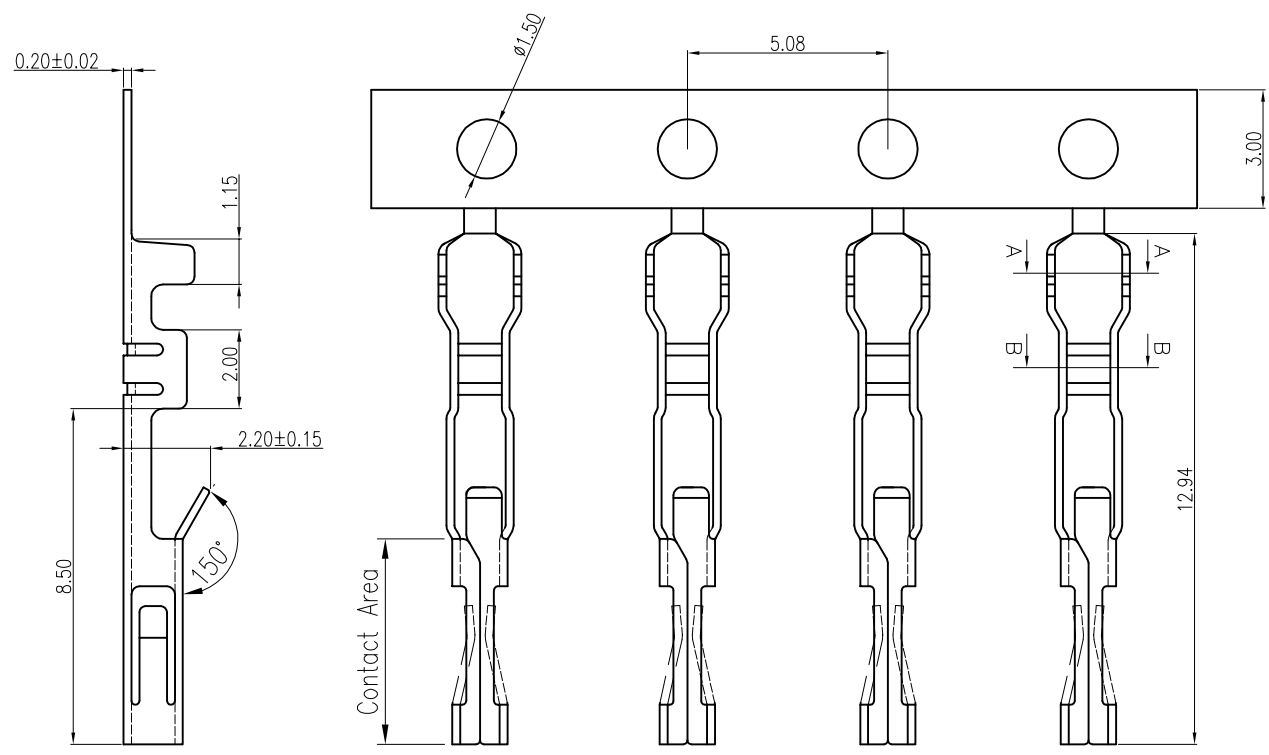
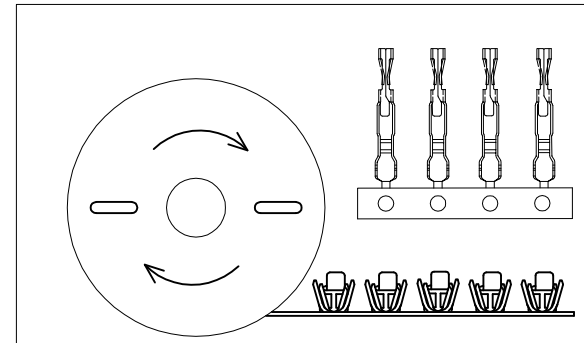
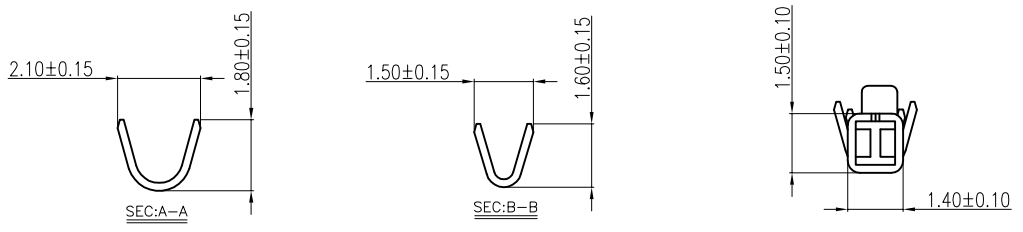


REV.	ECN NO.	APPD	DATE
A0	RELEASE	cheng	05/24'10
A1	change packing	cheng	11/12'10
A2	倒钩处增加倒角，以免刮伤塑胶	cheng	07/29'13
B0	倒钩弹片改为整体式	niezhenqi	06/23'14



P-810-1200-000-07*

Plated _____
 1:接触点Au:G/F/亮锡
 2:接触点Au:3u"/1u"
 3:接触点Au:5u"/亮锡
 7:Tin Plated
 E:接触点Au:15u"/亮锡



A1 PACKING

- NOTES:
 1.Material:PhosPhor Bronze.
 2.Plating:Tin Plated 100u" Over All
 OR Glod Plated on Contact Area
 OR Gold Plated Over All.
 3.Applicable Wire:AWG# 24~28.
 4.Insulation O.D:1.2~1.6mm.

X ±0.5	UNITS	NAME:	深圳市君灏精密工业有限公司 SHENZHEN JUNHAO ENGINEERING CO., LTD
.X ±0.38	MM	2.54mm Crimp Type IDC Terminal	
.XX ±0.25	MAT'L	PART NO.:	TITLE: 2.54mm Crimp Type IDC Terminal
.XXX ±0.08	FINISH	P-810-1200-000-07*	
.X' ±2'		APPD: Jeff	DWG NO.:
		06/23'14	
		CHKD: Jeff	EP-C-810-1200-0172
		06/23'14	
		DR: niezhenqi	SCALE SHEET REV.
		06/23'14	
THESE DRAWINGS AND SPECIFICATIONS ARE THE PROPERTY OF JUNHAO ENGINEERING CO.,LTD. AND SHALL NOT BE REPRODUCED COPIED OR USED IN ANY MANNER WITHOUT THE PRIOR WRITTEN CONSENT OF JUN HAQ ENGINEERING CO.,LTD.			1:1 1/1 B0