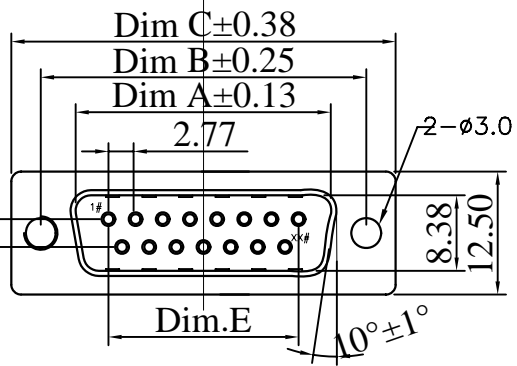
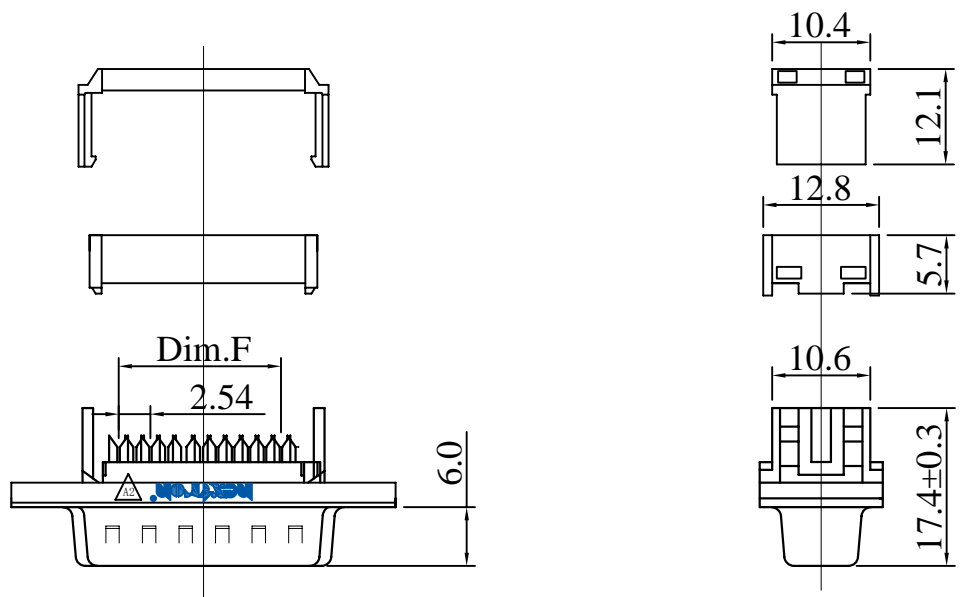


SIGN	DATE	DESCRIPTION	APPROVER
▲	180529	Changed E&F D&E	Jacky
▲	190124	Add Nextron logo nut post height	Jacky LIU
▲	190611	Changed D&E E&F	Jacky LIU



POS. NO.	A	B	C	E△	F△
37P	55.42	63.50	69.32	49.86	45.72
25P	38.96	47.04	53.04	33.24	30.48
15P	25.25	33.32	39.14	19.39	17.78
9P	16.92	24.99	30.81	11.08	10.16

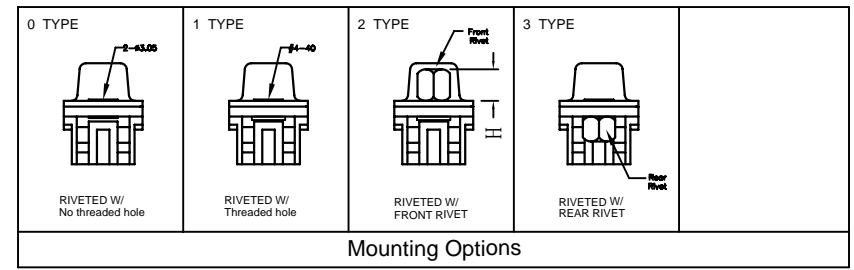
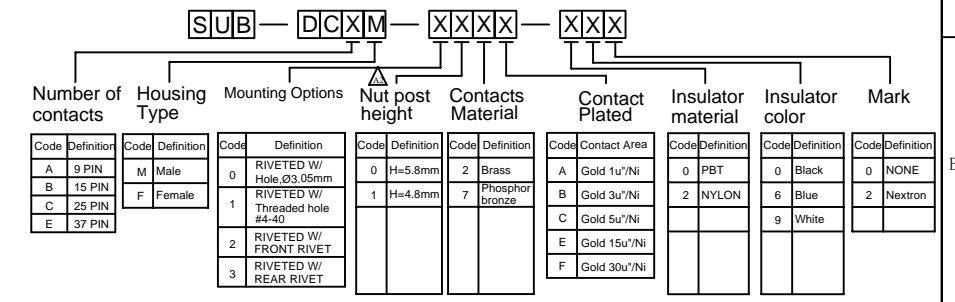
### SPECIFICATIONS:

Current rating:3.0A AC/DC  
Voltage rating:250V AC/DC  
Contact resistance:30m ohm MAX  
Insulation resistance:1000M ohm MIN  
Withstanding voltage:1000V AC for one minute  
Operating temperature range:-40°C~+85°C

### MATERIAL AND FINISH

Insulator:PBT+30%G.F(UL94V-0)  
Contact:Copper Alloy Nickel Undercoated  
Selective Gold Plated  
Finish:Metal Iron With Tin Plated

## Ordering Information



**JHJM** 深圳市君灏精密工业有限公司  
SHENZHEN JUNHAO ENGINEERING CO., LTD

PART. NAME: D型XX芯压接式插座(针) TITLE: D-SUB/DIC/xxP/Male  
PART. NO.: SEE TABLE DWG NAME: C-SUB-DC0M-0001

APPROVED BY: Jonnson CHECKED BY: Jeff DESIGNED BY: allan DRAWN BY: Jacky  
2019.06.11

CUSTOM NO.: Tolerance  
x. ±0.50  
x.x ±0.30  
SCALE: x.xx ±0.20  
REVISION:A3 xx° ±1°