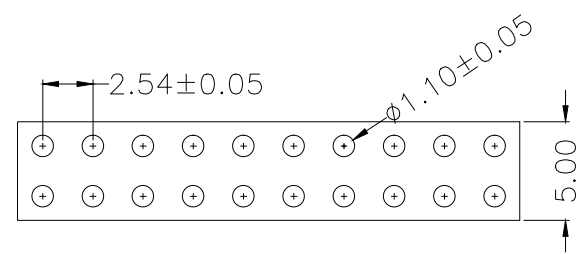
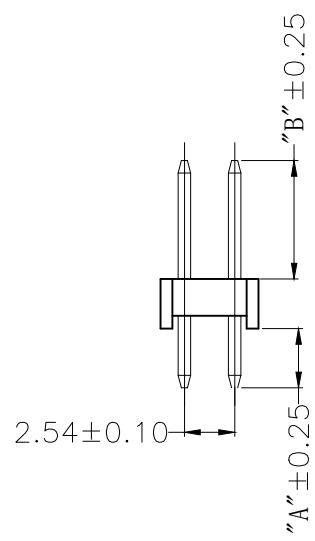
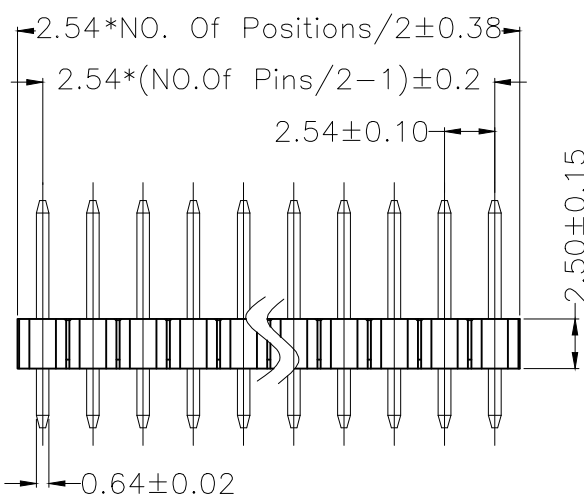
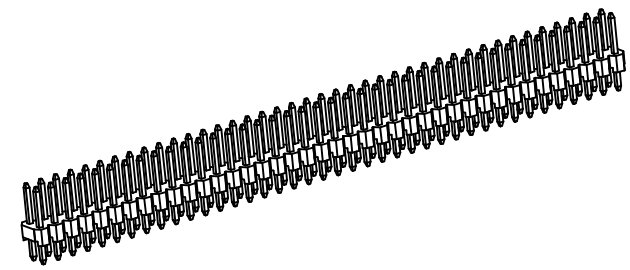
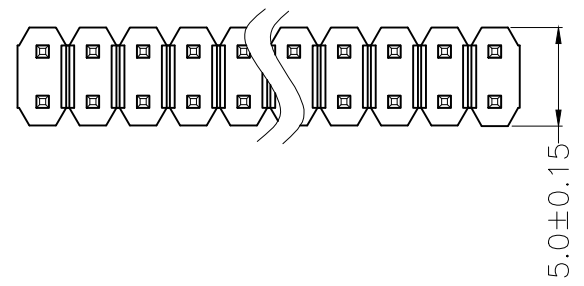


REV.	ECN NO.	APPD	DATE
A0	RELEASE	Cheng	10/28'08
A1	图面更新	niezhenq	08/07'13



PCB LAYOUT

Table (1)

Code	Definition
1	Gold/Flash
2	Gold 3u"
3	Gold 5u"
4	Gold 10u"
5	Gold 15u"
6	Gold 30u"
7	Bright Tin
8	Matte Tin
T	Gold 2u"
W	Gold 1.5u"

NOTES:

1. MATERIALS:
 1-1. INSULATOR:Polyester UL94V-0.
 1-2. CONTACT:BRASS.
 1-3. PLATED:CONTACT GOLD PLATED OVER Ni.
2. ELECTRICAL CHARACTERISTICS:
 2-1. CURRENT RATING:3 Amp.
 2-2. VOLTAGE RATING:250V AC/DC.
 2-3. CONTACT RESISTANCE: 20 mOhms MAX.
 2-4. INSULATION RESISTANCE:1000 MOhms MIN.
 2-5. WITHSTANDING VOLTAGE: 500V AC/MINUTE.
 2-6. Operation Temperature:-25° C~+105° C.

Part NO.

213-**1*-002*-***

NO. Of Positions
04~80

Contact length
Dim "A"X"B"
1:3.0x6.0
2:2.4x6.0
3:4.5x6.0
5:3.0x4.5
7:3.2x5.84
8:3.0x10.0
W:3.0x3.0

唛头
0:无
1:nextron
2:tyco

Housing Color
0:BLACK 9:WHITE

Housing Material
0:PBT 4:PA6T

Plated
See Table (1)

X ±0.5	UNITS mm	NAME: 2.54mm Pin Header Double Row	
.X ±0.38		PART NO.: 213-**1*-002*-***	APPD: jeff 08/07'13
.XX±0.25	FINISH		
.XXX±0.08		DR: niezhenqi 08/07'13	
.X' ±2'			

深圳市君灏精密工业有限公司 SHENZHEN JUNHAO ENGINEERING CO., LTD		
TITLE: 2.54mm Pin Header Double Row Straight Pin		
DWG NO.: EP-C-213-0010-0140		
SCALE 1:1	SHEET 1/1	REV. A1

THESE DRAWINGS AND SPECIFICATIONS ARE THE PROPERTY OF JUNHAO ENGINEERING CO.,LTD. AND SHALL NOT BE REPRODUCED COPIED OR USED IN ANY MANNER WITHOUT THE PRIOR WRITTEN CONSENT OF JUN HA0 ENGINEERING CO.,LTD