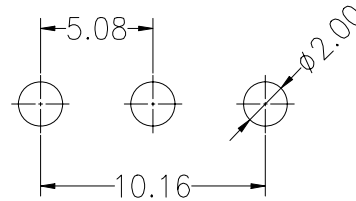
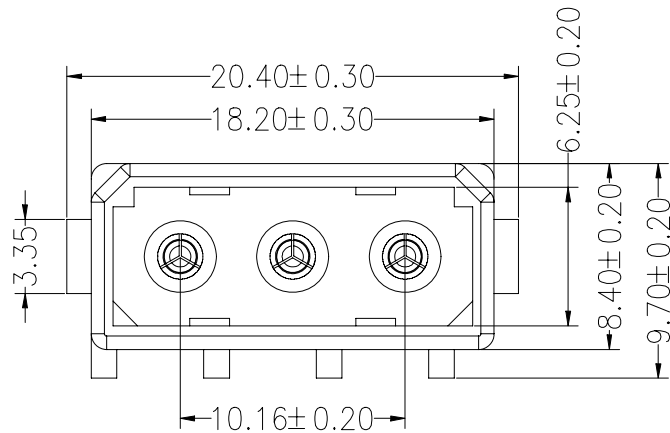


REV.	ECN NO.	APPD	DATE

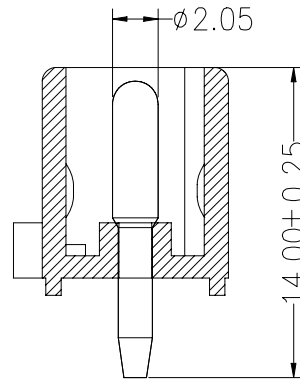
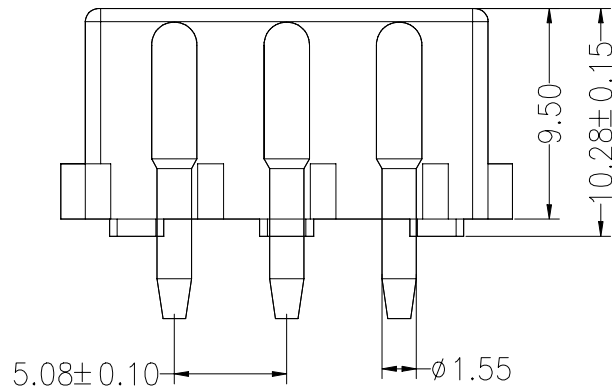


Recommended P.C.B Layout(Top Side)
(PCB BOARD TOLERANCE±0.05)

SPECIFICATIONS

Rated Current:3.0AMP
 Rated Voltage:250V AC
 Contact Resistance:20mΩ Max
 Withstand Voltage:1500V AC For 1Minute
 Insulation Resistance:1000MΩ Min
 Operation Temperature:-40°C to +105°C

Contact Material:Brass
 Contact Plating:Sn Over Ni
 Insulator Material:Polyester(UL94V-2)
 Max.Processing Temp:
 (PA66)245°C±5°C For 5~10 Second



X ±0.5	UNITS mm	NAME:	深圳市君灏精密工业有限公司 SHENZHEN JUNHAO ENGINEERING CO.,LTD				
.X ±0.38		WAFER 5.08 3P180度 空芯针(大三P)					
.XX±0.25	MAT'L	PART NO.:	TITLE: WAFER 5.08 3P180度 空芯针(大三P)				
.XXX±0.08		8622-03					
.X° ±2°	FINISH	APPD:	jeff	04/25'19	DWG NO.:		
THESE DRAWINGS AND SPECIFICATIONS ARE THE PROPERTY OF JUNHAO ENGINEERING CO.,LTD. AND SHALL NOT BE REPRODUCED COPIED OR USED IN ANY MANNER WITHOUT THE PRIOR WRITTEN CONSENT OF JUN HAQ ENGINEERING CO.,LTD		CHKD:	jeff	04/25'19		C-8622-003-0001	
		DR:	Jocky	04/25'19			
					SCALE	SHEET	REV.
					1:1	1/1	A0