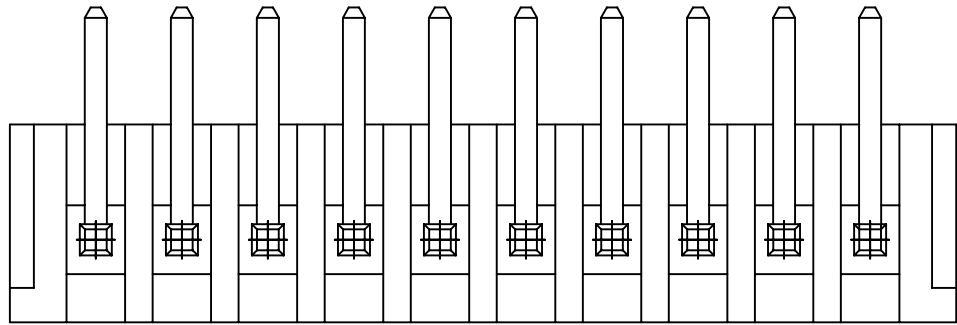


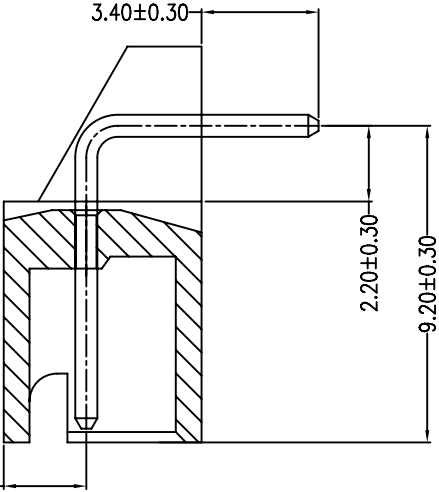
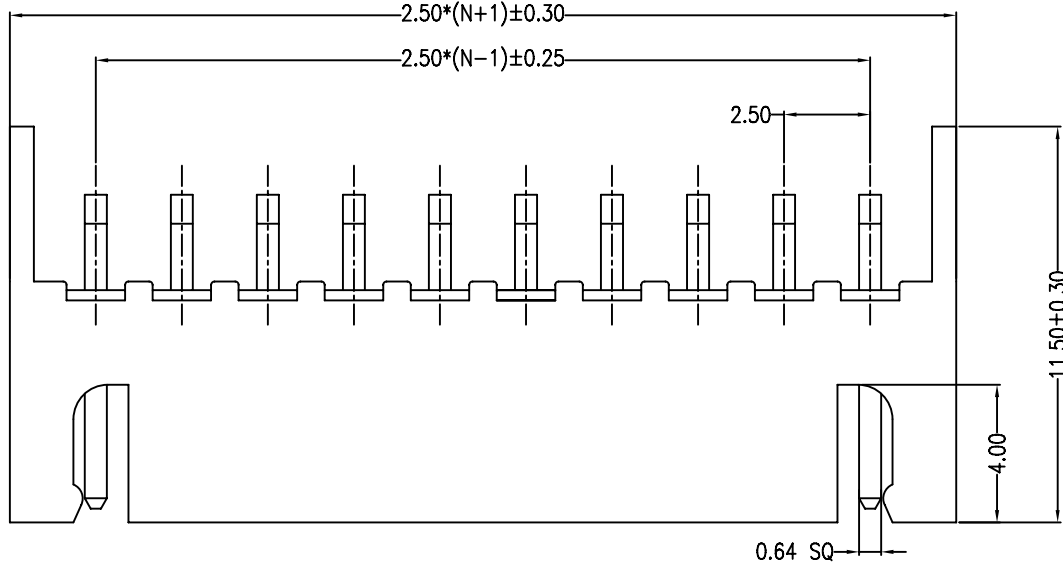
REV.	ECN NO.	APPD	DATE
A0		Wang	18.09.08



**SPECIFICATIONS:**  
 Current rating : 3.0 A AC/DC  
 Voltage rating : 250V AC/DC  
 Contact Resistance : 20mΩ max  
 Insulation Resistance: 1000MΩ min  
 Withstanding Voltage : 800V AC for one minute  
 Operating Temperature: -25° C to +85° C  
 Insulator Material : PA66&LCP+GF30% UL94V-0  
 Contact Material : Copper Alloy  
 Contact Plating : Matte Tin  
 Ordering Information:

23T-4051-0107-290

Code	PIN	Code	Insulator Material
02	02	2	PA66
03	03		
..	..		
16	16		



P. C. B LAYOUT

X ± 0.50	UNITS M M	NAME: 2.5WF 2317RJ-XX Pin	深圳市君灏精密工业有限公司 SHENZHEN JUNHAO ENGINEERING CO.,LTD				
.X ± 0.35	MAT'L	PART NO. : 23T-4051-0107-290					
.XX ± 0.25	FINISH	APPD: ZHOU	TITLE: 2.5WF 2317RJ-05 Pin				
.X° ± 2°		CHKD: CC	DWG NO. : EP-C-23T-2500-0009				
THESE DRAWINGS AND SPECIFICATIONS ARE THE PROPERTY OF JUNHAO ENGINEERING CO., LTD. AND SHALL NOT BE REPRODUCED COPIED OR USED IN ANY MANNER WITHOUT THE PRIOR WRITTEN CONSENT OF JUN HAO ENGINEERING CO., LTD.			<table border="1"> <tr> <td>DR: WANG</td> <td>SCALE 1:1</td> <td>SHEET 1/1</td> <td>REV. A0</td> </tr> </table>	DR: WANG	SCALE 1:1	SHEET 1/1	REV. A0
DR: WANG	SCALE 1:1	SHEET 1/1	REV. A0				