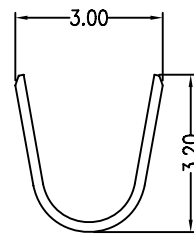
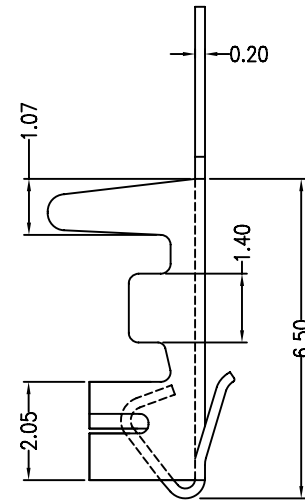
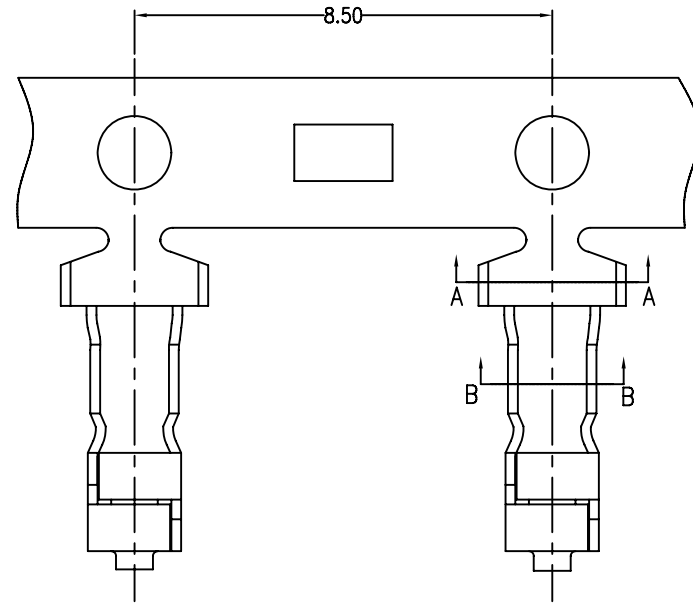
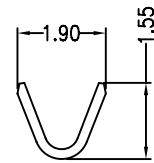


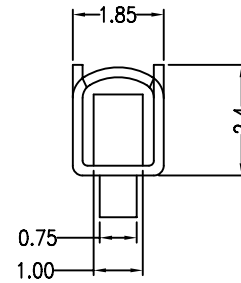
REV.	ECN NO.	APPD	DATE
A0		Wang	23/04/18
A1		Wang	23/08/14



A-A



B-B



Specification:

- * Pitch between poles 2.50mm
- * Rated Voltage 250V AC/DC
- * Current rating 3A.AC.DC
- * Withstand Voltage 1,000V AC/minute
- * Insulation Resistance 1,000M /min
- * Temperature Range -25~85 C
- * Applicable Wire AWG #22~#28

X ±0.50	UNITS M M	NAME: 2318TJ 端子	 深圳市君灏精密工业有限公司 SHENZHEN JUNHAO ENGINEERING CO.,LTD	
.X ±0.35	MAT'L	PART NO. : P-23T-1000-000-077		
.XX ±0.25	FINISH	APPD: <i>SXC</i>	TITLE: 压接头2318TJ(簧片) 端子	
.X° ±2°		CHKD: <i>SXC</i>	DWG NO. : EP-C-23T-2500-0284	
<small>THESE DRAWINGS AND SPECIFICATIONS ARE THE PROPERTY OF JUNHAO ENGINEERING CO., LTD. AND SHALL NOT BE REPRODUCED COPIED OR USED IN ANY MANNER WITHOUT THE PRIOR WRITTEN CONSENT OF JUN HAO ENGINEERING CO., LTD.</small>			DR: <i>Wang</i>	
				
		SCALE	SHEET	REV.
		1:1	1/1	A0