

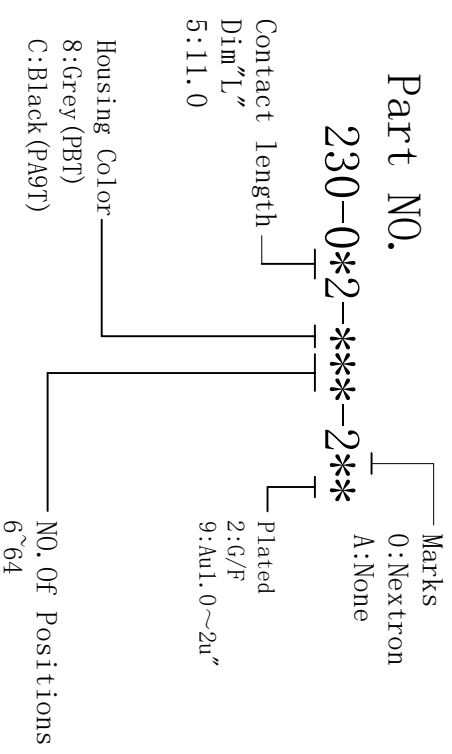
PCB LAYOUT

PIN	A±0.20	B±0.25	C±0.20	D±0.38
6	5.08	16.76	22.86	26.92
8	7.62	19.30	25.40	29.46
10	10.16	21.84	27.94	32.00
14	15.24	26.92	33.02	37.08
16	17.78	29.46	35.56	39.62
20	22.86	34.54	40.64	44.70
24	27.94	39.62	45.72	49.78
26	30.48	42.16	48.26	52.32
30	35.56	47.24	53.34	57.40
34	40.64	52.32	58.42	62.48
40	48.26	59.94	66.04	70.10
50	60.96	72.64	78.74	82.80
60	73.66	85.35	91.44	95.50
64	78.74	90.42	96.52	100.58

- NOTES:
1. MATERIALS:
- 1-1. INSULATOR: Polyester, UL94V-0.
 - 1-2. CONTACT: Copper ALLOY.
 - 1-3. PLATED: CONTACT GOLD PLATED OVER Ni.
2. ELECTRICAL CHARACTERISTICS:
- 2-1. CURRENT RATING: 3 Amp.
 - 2-2. CONTACT RESISTANCE: 20 mOhms MAX.
 - 2-3. WITHSTANDING VOLTAGE: 500V AC/MINUTE.
 - 2-4. INSULATION RESISTANCE: 1000 MOhms MIN.
 - 2-5. Operation Temperature: -40° C~+105° C.
- 3. Only 64P with three key, Others with one key.
 - 4. 6~16Pin no window, Others with two windows.

Part NO.

230-0*2-***-2**



X ±0.5		UNITS	NAME:	深圳市君瀚精密工业有限公司	
X ±0.38		mm	2.54mm ELECTOR HEADER	SHENZHEN JUNHAO ENGINEERING CO., LTD	
.XX±0.25		MAT'L	PART NO.:	SEE TABLE	
.XXX±0.08		FINISH	APPD:	jeff 10/29'25	
.X' ±2"			CHKD:	jeff 10/29'25	
			DR:	niezhengqi 10/29'25	
THESE DRAWINGS AND SPECIFICATIONS ARE THE PROPERTY OF JUNHAO ENGINEERING CO., LTD. ANY REPRODUCTION, COPIED OR USED IN ANY MANNER WITHOUT THE PRIOR WRITTEN CONSENT OF JUNHAO ENGINEERING CO.,LTD			DWG NO.:		EP-C-230-0200-0021
			SCALE		SHEET
			1:1		1/1
			REV.		A2