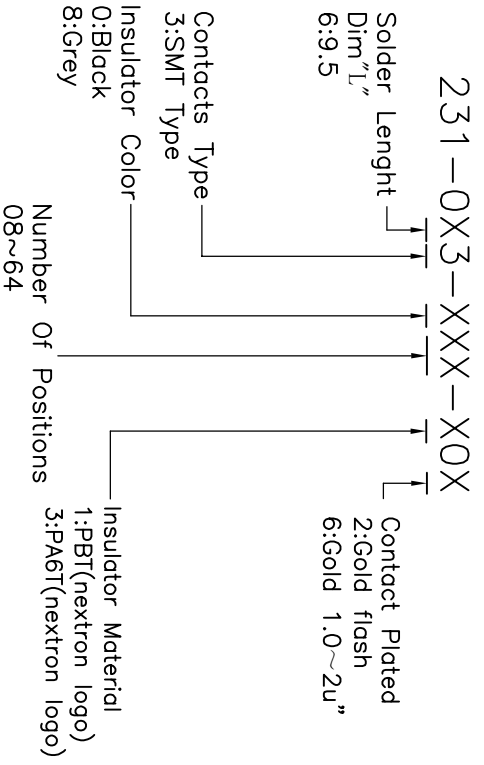


PIN	A±0.30	B±0.20	C±0.30
8	17.76	7.62	15.56
10	20.30	10.16	18.1
14	25.38	15.24	23.18
16	27.92	17.78	25.72
18	30.46	20.32	28.26
20	33.00	22.86	30.80
24	38.08	27.94	35.88
26	40.62	30.48	38.42
30	45.70	35.56	43.50
34	50.78	40.64	48.58
40	58.40	48.26	56.20
50	71.10	60.96	68.90
60	83.80	73.66	81.60
64	88.88	78.74	86.68

- NOTES:
- MATERIAL:
Insulator: Glass Filled Polyester, UL94V-0.
Contact: Brass.
 - ELECTRICAL
Rated Voltage: 250V AC/DC.
Rated Current: 3 A Per Pin.
Contact Resistance: 20 Milliohms Max.
Insulation Resistance: 1000 Megohms Min.
Dielectric Strength: 1000 V For 1 Minute.
 - Environmental
Temperature Range: -40°C TO + 105°C.
5.60 and 64P with three keys. Others with one key.



X ±0.5	UNITS	mm	NAME:	2.54mm BOX HEADER SMT TYPE
X ±0.38	MAT'L		PART NO.:	SEE TABLE
.XX±0.25	FINISH		APPD:	jeff
.XXX±0.08			CHKD:	jeff
X' ±2'			DR:	niezhenqi

THESE DRAWINGS AND SPECIFICATIONS ARE THE PROPERTY OF JUNHAO ENGINEERING CO., LTD. AND ARE NOT TO BE REPRODUCED OR COPIED OR USED IN ANY MANNER WITHOUT THE PRIOR WRITTEN CONSENT OF JUN HAO ENGINEERING CO., LTD.

深圳市君灏精密工业有限公司
SHENZHEN JUNHAO ENGINEERING CO., LTD

TITLE: 2.54mm BOX HEADER SMT TYPE CONNECTOR

DWG NO.: EP-C-231-0003-0014

SCALE: 1:1

SHEET: 1/1

REV.:

REV.	ECN NO.	APPD	DATE
A0	RELEASE	cheng	09/09/08
A1	图面更新	niezhenqi	05/12/14
A2	电板规格更新	niezhenqi	10/29/25